

Design And Engineering Services

Product Design And Development Services For Invention, Retail, Commercial, And Technology Companies.

Mechanical Design

We consider all aspects of engineering when designing a product.

Product Branding

We help you identify your brand name and image.

Industrial Design

We consider design styles suitable for the intended market.

Photo Realistic Image Rendering

Creating highest quality images of your product for marketing purposes.

Electro-Mechanical Packaging

Over 30 years experience with electronics packaging design.

Aero & Fluid Flow Dynamic Analysis

Richard Romanelli of Milan, Italy performs CFD analysis for companies across Europe and North America.

Design For Manufacturing (DFM)

Optimizing designs for Injection molding, casting, machining, and thermoforming.

Prototype Development & Testing

Maturing designs through the testing and development stages.



- **General Motors-** Front Suspension Design of Future Cadillac sports car
- **Ford-** Helped develop Ford Mustang chassis modifications
- **Wolf Racing Cars of Italy-** Complete design of Wolf GB09 Sports Car
- **Space-X-** Designed platform adapter used to carry payloads into space
- **Lockheed-Martin-** Design of multiple features used in defense projects
- **Red Devil Industries-** Designed new easy use caulking gun
- **Samsung-** Designed “smart” key fob for internet access



LOCKHEED MARTIN



SAMSUNG

Lets get your product design started.
In as little as 5 easy steps.

CONTACT FORM



Simply tell us who you are
and service you would
like...

ESTIMATE



Once we have the
information one of our
engineers will send you a
estimate

PRODUCT DESIGN



We work on your design
product and when you
are happy with the design
then on to step 4

PROTOTYPE



Once the designs are
signed off then we can
get your prototype
created

MANUFACTURING



We have a network of
manufacturing partners
both domestic and
overseas

Phase 0

Trade Study/Research/Observation



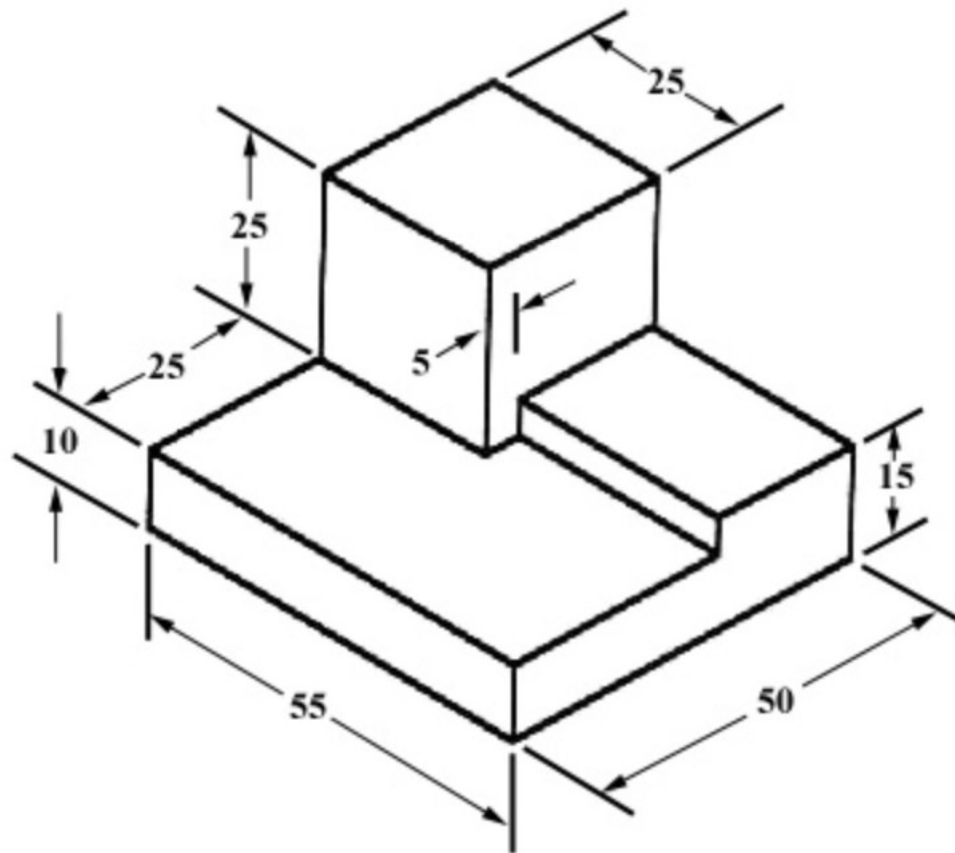
Phase 1

Concept Evaluation



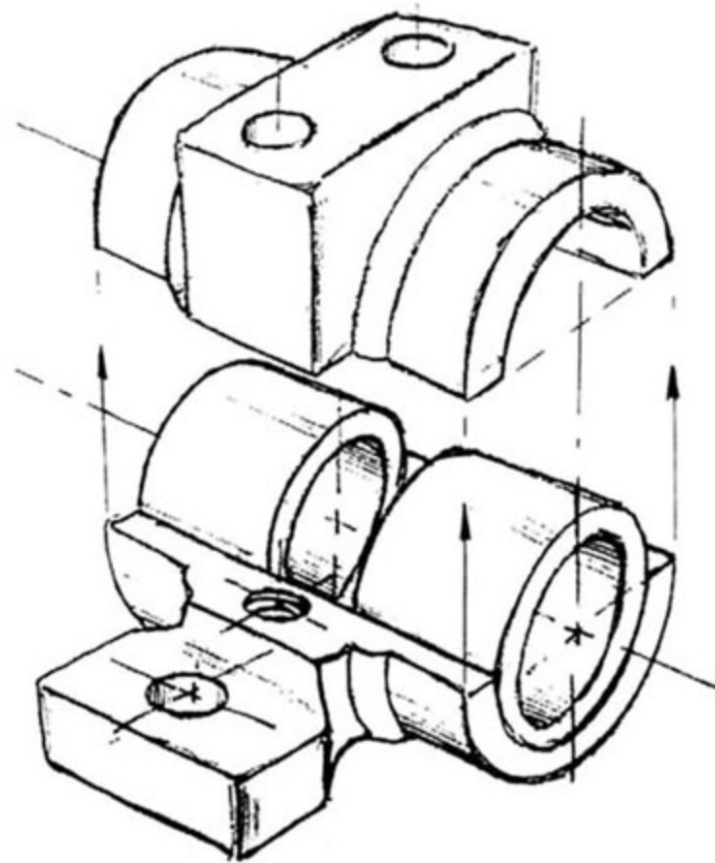
Phase 2

Concept Maturation



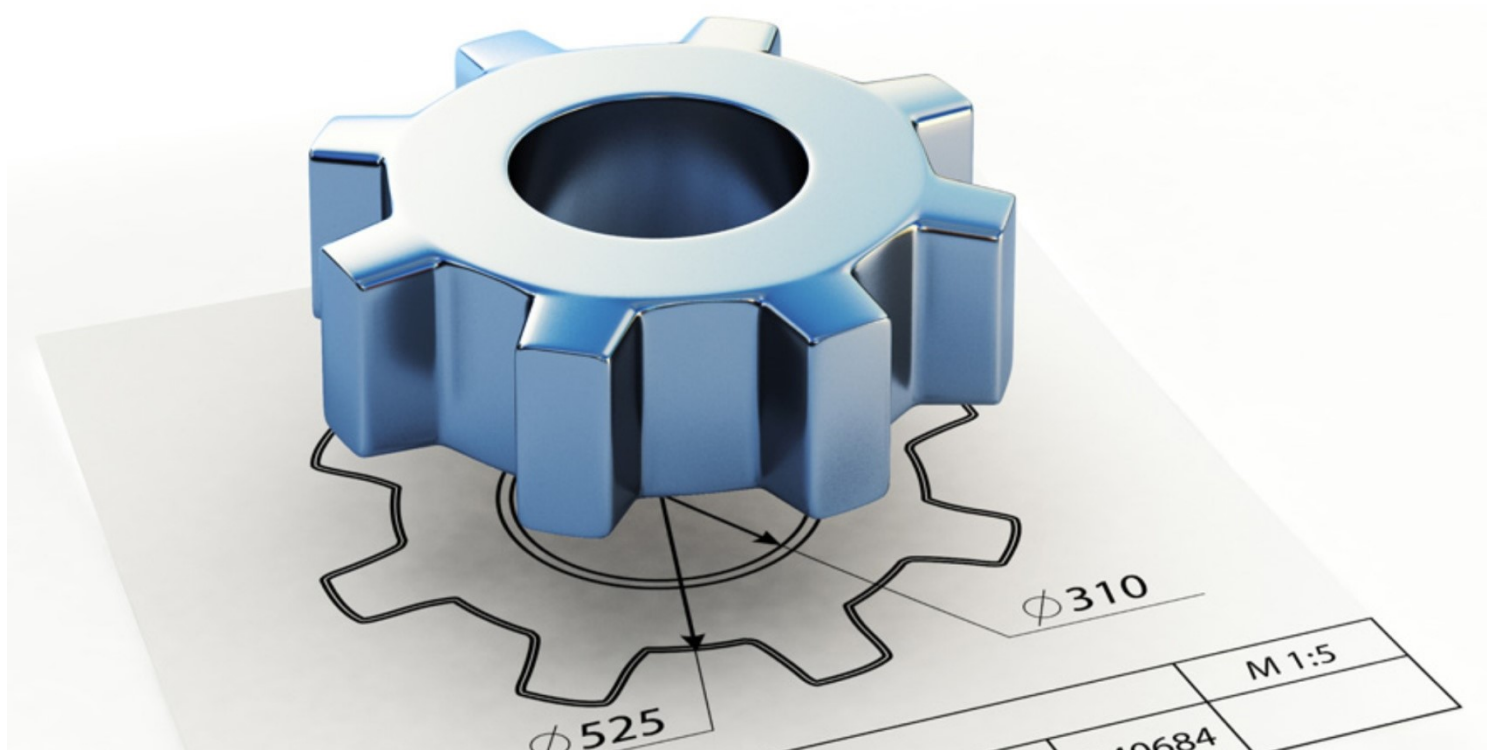
Phase 3

Detailed Design



Phase 4

Prototype Build and Evaluation



Phase 5

Final Design



MEDICAL DEVICES

Multi-Direction Flow Control Valve



LUXURY ITEM DESIGNS

VoiVolete' Luxury Designer Smart Phones



SECURITY DEVICES

SmartFinder Vehicle And Cargo Tracking System



KINEMATIC SIMULATIONS

Race Car Suspension Geometry Optimization

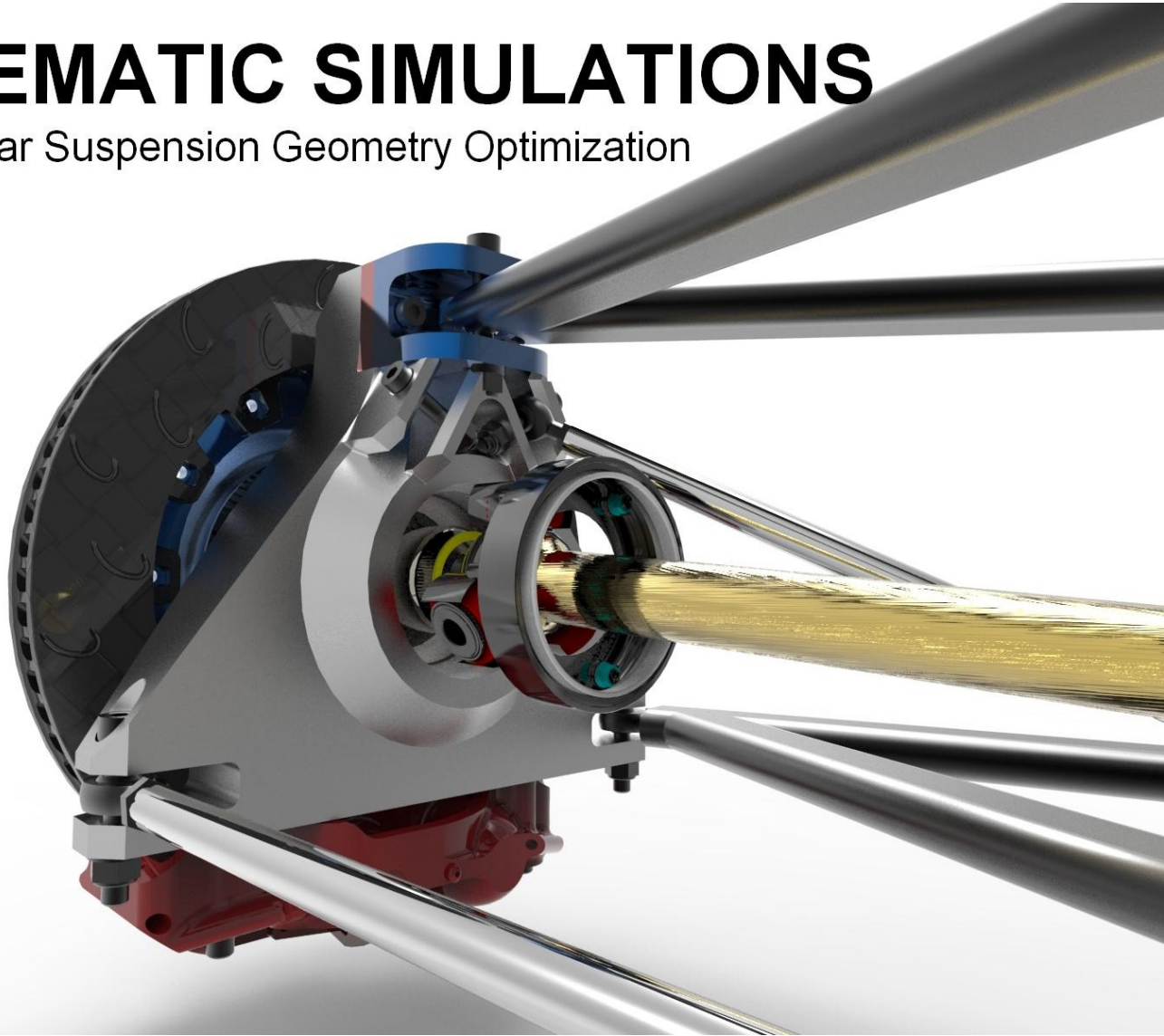
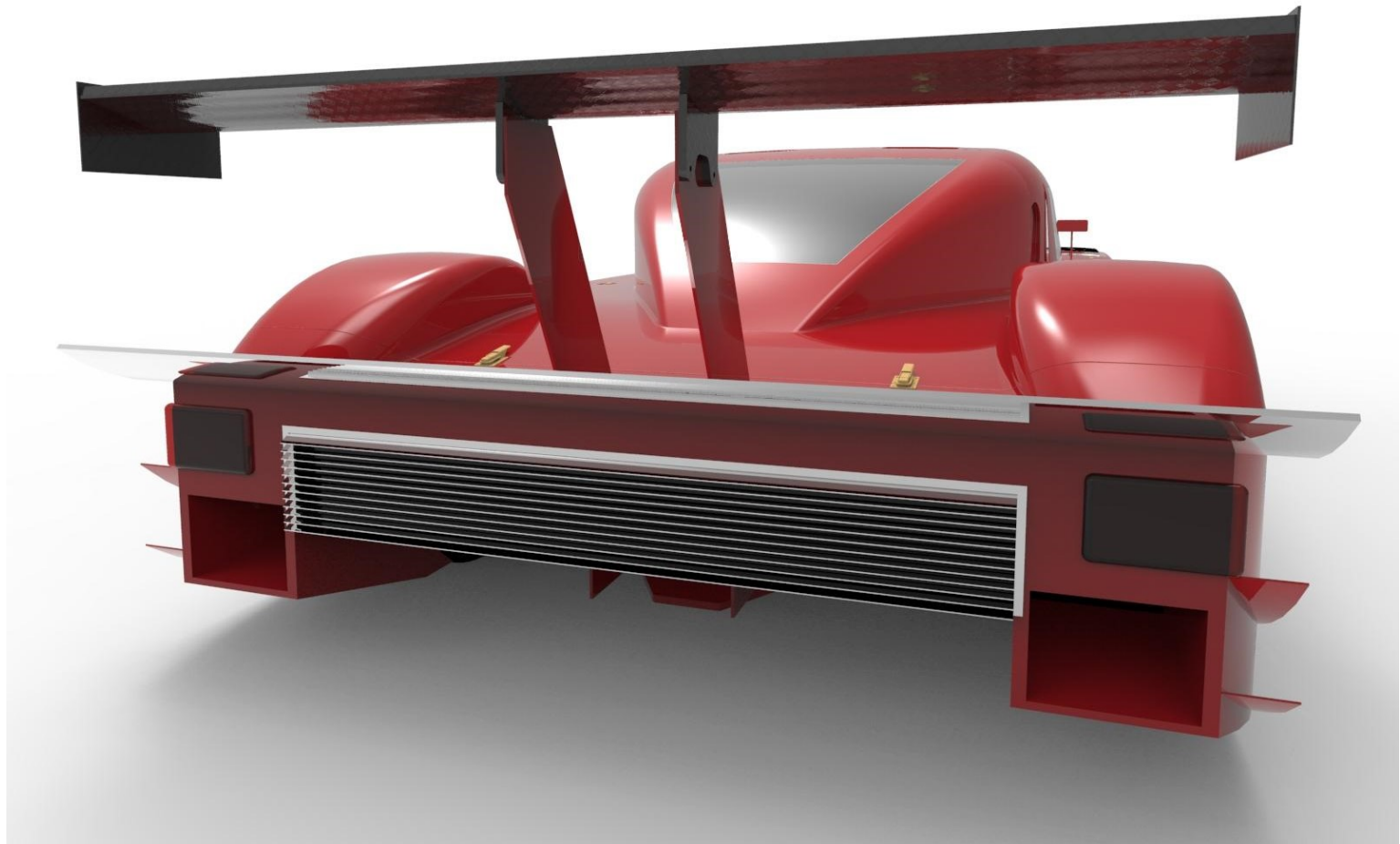


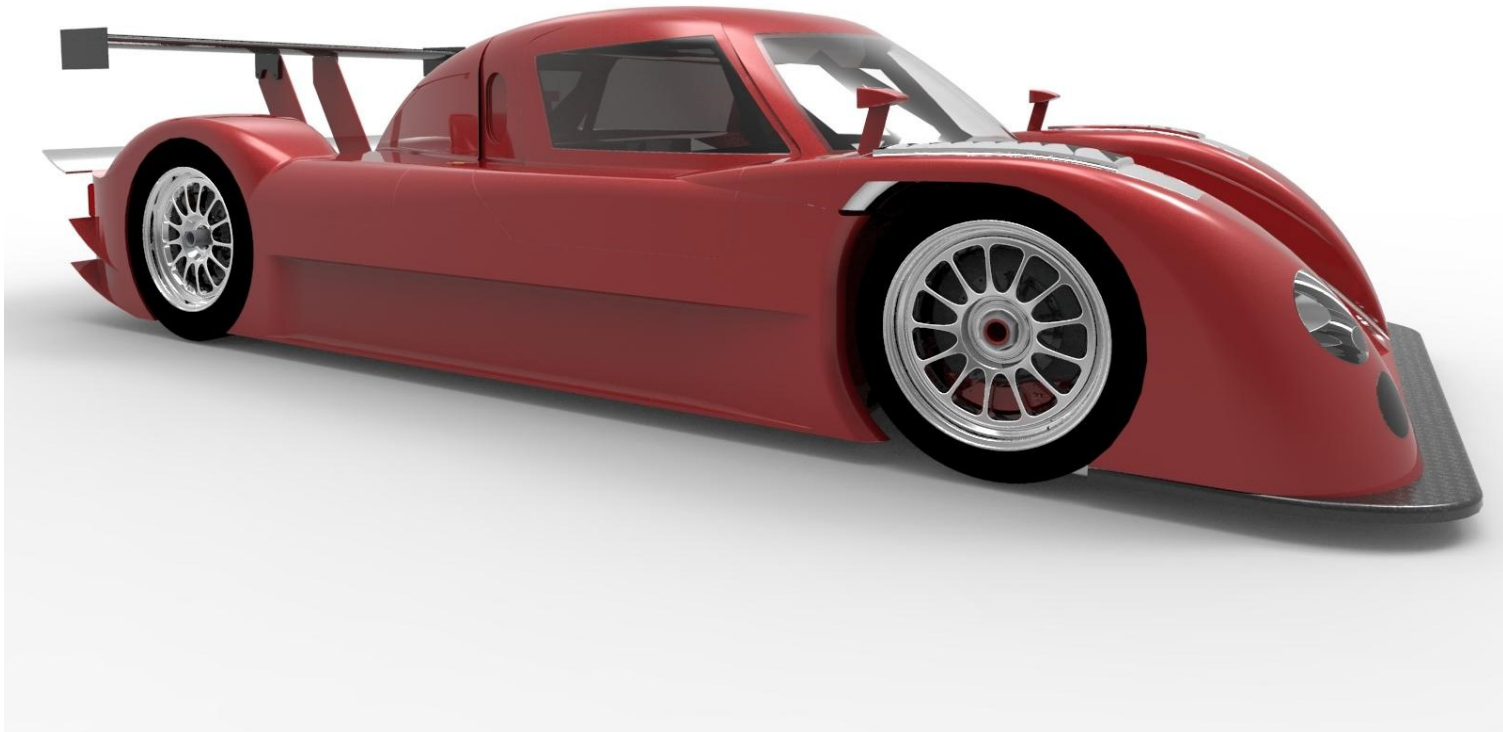
IMAGE RENDERING

High Quality CAD Renderings For Presentations



PRODUCT DESIGN

Wolf GB09 Daytona Prototype Sports Racing Car



ABS PLASTIC PART DESIGN

Antero iPad Keyboard and Accessory Case

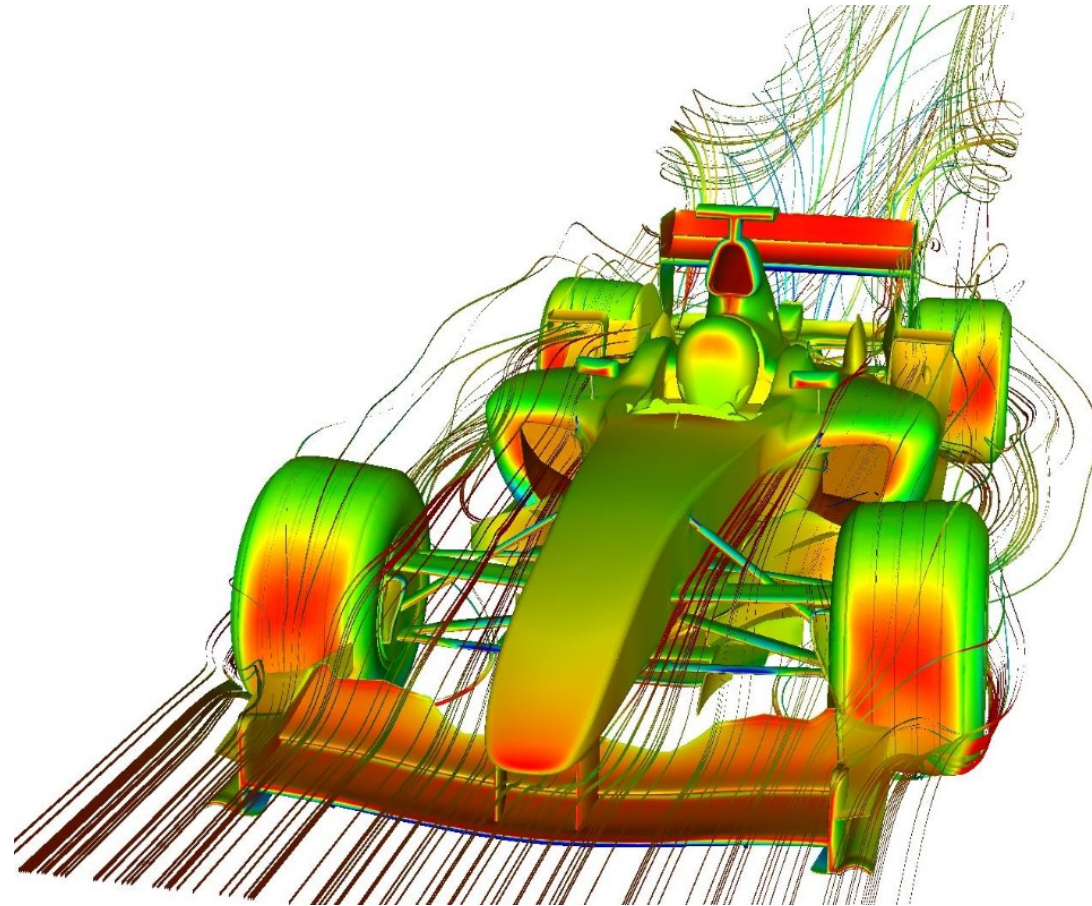


TRADE SHOW DISPLAY

Articulating Large Screen TV Demonstrator
For Jones, Partners: Architecture
Los Angeles, California USA



AIRFLOW AND CFD ANALYSIS





Contact Us To Learn More

**Ask About Our New
\$995 Invention Stimulus Program**

**Ignite Product Design
11061 W. Park Run Dr. Suite 150
Las Vegas, NV 89145**

info@igniteproductdesign.com

www.igniteproductdesign.com

Phone: (702) 483-8065